

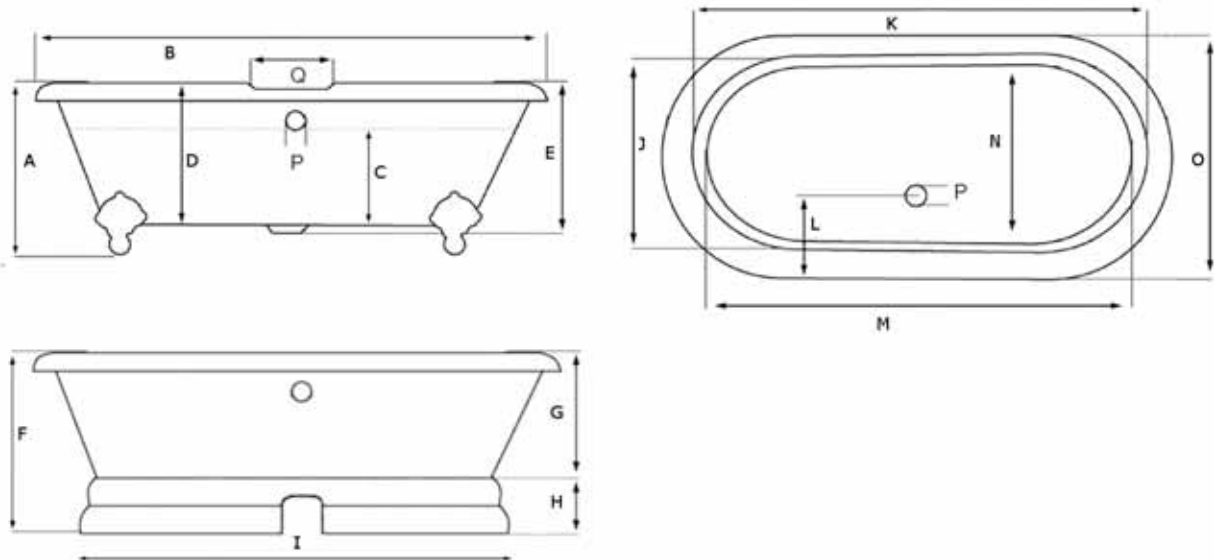


MAIDSTONE

www.MaidstoneSupply.com

Double Ended

Part No:1201DE



DIMENSIONS (INCHES)

	A	B	C	D	E	F	G	H	I	J	K	L	M	N	O	P	Q
60	22 ¹ / ₂	61	13 ² / ₅	18	19	-	-	-	-	24	54 ¹ / ₂	11 ⁵ / ₇	41	17	31	2 ¹ / ₅	12
60*	-	61	13 ² / ₅	18	19	25	19	6	45 ¹ / ₂	24	54 ¹ / ₂	11 ⁵ / ₇	41	17	31	2 ¹ / ₅	12
66	22 ¹ / ₂	66 ¹ / ₂	13 ² / ₅	18	19	-	-	-	-	24	60	11 ⁵ / ₇	45	17	31	2 ¹ / ₅	12
66*	-	66 ¹ / ₂	13 ² / ₅	18	19	25	19	6	51 ¹ / ₂	24	60	11 ⁵ / ₇	45	17	31	2 ¹ / ₅	12
72	22 ¹ / ₂	71 ¹ / ₂	13 ² / ₅	18	19	-	-	-	-	24	65	11 ⁵ / ₇	49	17	31	2 ¹ / ₅	12

	60	60*	66	66*	72
EMPTY (LB)	330	410	380	552	440
FILLED (LB)	706	786	797	969	924
CAPACITY (GAL)	45	45	50	50	58
WATER DEPTH (IN)	13 ² / ₅	13 ² / ₅	13 ² / ₅	13 ² / ₅	13 ² / ₅

Approximate Measurements

*Pedestal

Contact Maidstone for additional information and specifications. For complete warranty information and a list of dealers visit www.MaidstoneSupply.com. All products and specifications are subject to change without notice. Maidstone is not responsible for typographical and/or dimensional errors. Typographical errors are subject to correction.

Note: Rough-in dimensions may vary +/- 1/2" and are subject to change. No responsibility is assumed by Maidstone.